



RPZ-MAX



IRIS
FACTORY AUTOMATION

REBELPAK
EQUIP DIFFERENTLY / AN IRIS FACTORY AUTOMATION COMPANY



THINK LIKE A REBEL

To think like a Rebel is to **question everything**.

It's going **against the grain**, shedding preconceived notions, and being willing to look at old problems with **new ideas**. In terms of equipment, it's thinking about the way something looks and feels, the way it acts and reacts. It's **taking chances** on what could be instead of what has been.

THAT'S HOW REBELS PAK.

You see we're a company with our roots in tackling problems without prejudice, preference, or preconceived notions about how something should or shouldn't work.

We're focusing on **empowering our clients** with a user experience based on intuition instead of memorization.

We're leveraging the digital world to execute design **collaboration**, acceptance, and commissioning all remotely through integrated digital media, minimizing cost to our clients, maximizing speed to deployment.

We're designing highly flexible equipment able to meet the demands of shifting supply chains. And most importantly we're designing equipment of which we're incredibly proud, **right here on American soil**.

So if you want to explore what your factory floor would feel like if it was



Smarter



Faster



More flexible

THEN PAK LIKE A REBEL

INTRODUCING

RPZ-MAX

PALLETIZING WITH A INDUSTRIAL ROBOT

Leveraging industrial robot technology is about more than safety. It's a paradigm shift away from traditional automation. It allows clients to deploy affordable, point-of-use automation solutions specifically targeting repetitive activities where ergonomic and general safety concerns are present.

When it comes to palletizing, the RPZ-MAX enables clients to mitigate the risks associated with a changing labor landscape by providing a system directly targeting end of line packaging requirements typically served by manual operation in an exceptionally small footprint.



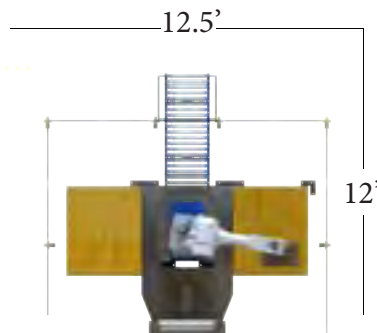
WHY SO EFFECTIVE?

USER EXPERIENCE

Automation is only as effective as it is user friendly. IRIS has invested thousands of hours in HMI development assuring our clients the most seamless and intuitive user experience available on industrial palletizers. In short you don't need to be a robot expert to program and operate the RPZ-MAX. Our user interface has been designed and refined to accommodate even the most novice user. Program, operate, and troubleshoot in minutes, not hours.

COST

Most palletizing applications have a sub-24 month ROI in addition to the added value of knowing your system will be there operating regardless of an increasingly dynamic labor market.



SIZE

Available in either single or double pallet configurations, the RPZ-Max ensures a safe plant floor with a combination of hard guarding and a pair of light curtains that monitor the front of each pallet bay.



FLEXIBILITY

Leveraging both the built-in drag-and-drop palletizing wizard and small footprint, the RPZ-MAX can be deployed in most any end of line palletizing application.

WHY WORK WITH IRIS FACTORY AUTOMATION?

“

At IRIS, we treat our clients the same way we would want to be treated. We work hard to understand your goals and expectations, we leverage our experience to take our clients down the right path, and we do what we say we're going to do.



IRIS is an organization that listens to our clients, thinks outside the box, and does what it takes to produce reliable and innovative automation - **just ask our clients, they'll tell you.**

Reliability.

We leverage off the shelf products from world class suppliers, affording our clients familiarity and flexibility when it comes to understanding and maintaining our systems.

Experience.

We are more than a palletizing firm, we're a firm that applies new ideas and technology to old problems that helps us to serve our clients in their journey to improve their quality, mitigate their production costs, and improve their processes.



How many cases per minute?

Relative to throughput, it's best to consider overall cycles – how many picks, and then places can be made per minute. The RPZ-50 can perform up to 12 cycles per minute. Common pick configurations includes single or multiple picks, and single or multiple placepoints to help balance payload and rate requirements.

Can I add slipsheets?

Absolutely! Just indicate your slip sheets specification and we'll recommend one of our specially designed easels!

Can I palletize to either side of the system individually or at the same time?

Yes! You can either palletize to just one side if you're space limited or you can palletize to both sides to support uninterrupted operation.

Is it safe?

The RPZ-50 deploys multiple layers of safety, relying on smart guarding design, light curtains, safety scanners and robot speed limitations..

Is it easy?

The IRIS RPZ-50 palletizing wizard and interface is the most capable on the market. It provides drag-and-drop pallet building, built-in recipe storage, and a visual factory focused approach to indication and diagnosis.

How long does it take to install?

Most installations have the system running within two days.

How soon can I get one?

Depending on your requirements, systems are typically ready for FAT 6-8 weeks from order.

Is the RPZ-MAX customizable?

IRIS Factory Automation specializes in custom solutions designed to fit your specific needs. We are happy to discuss possible solutions for you via site visits, virtual consultations, or you can see our systems in action by visiting IRIS's Digital Industrial Sandbox!

SYSTEM FEATURES



DUAL SIDE PALLETIZING

Dual side palletizing in combination with collaborative technology allows for removal of a completed pallet while palletizing continues on the adjacent pallet.

INTUITIVE USER EXPERIENCE

Using icon-based instructions and easy-to-understand indicators, the IRIS user interface looks and feels like an application more common to today's consumer electronics.

INTEGRATED PALLETIZING WIZARD

Many of today's packaging and co-packaging firms are faced with the challenges of high product change over. To combat this, IRIS provides an integrated palletizing wizard, allowing clients to build custom pallet patterns in a drag-and-drop format, increasing productivity, and decreasing reliance on external programming assistance.

VISUAL FACTORY FEATURES

IRIS believes the status of its equipment should be visible from afar, allowing for at-a-glance assessment of system status. For this reason, we include IO-link based smart indicator lighting and illuminated safety interfaces.

MINIMAL FOOTPRINT

Due to both its collaborative architecture and efficient design, the RPZ-MAX requires less than 502 ft. of unguarded floor space. (104" W x 64" D).

USER EXPERIENCE

Our palletizing software features an intuitive graphic interface that works directly with the robot. End-users build pallets by entering dimensions and dragging boxes into the position they are to be placed.



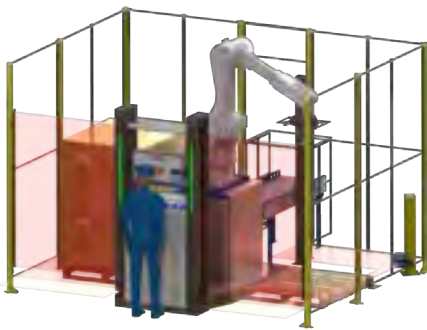
Software Features

- User-friendly layout
- At-a-glance status
- Cumulative totals
- Recipe management
- Tiered security access
- Intuitive job selection

Palletizing Wizard

- Smart recipe builders
- Drag and drop action
- Fast learning curve
- Ability to orient labels
- Import/export features

SAFETY CONFIGURATIONS



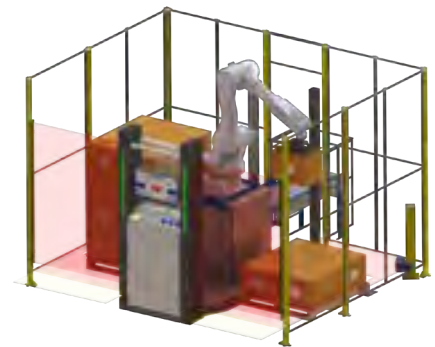
Option 01: Fully Operational

RPZ-MAX ensures a safe plant floor with a combination of hard guarding and a pair of light curtains that monitor the front of each pallet bay. As additional layers of safety, area scanners monitor traffic patterns in front of the cell to communicate foot traffic to the robot to slow cadence upon proximity to the cell, and a pair of area scanners inside the pallet bays to monitor the rear of the cell.



Option 02: Pallet Removal

An operator will enter a finished pallet's bay and will trip that bay's light curtain, and the robot will slow its cadence. Concurrently, a light curtain that flanks the robot will activate, as well as a safety plane for the robot. The robot's cadence will be slowed for the duration of the pallet extraction and replacement.



Option 03: Bay Reset

After an operator has replaced an empty pallet and confirmed the pallet exchange on the HMI, the entrance light curtains will activate and the front area scanners will confirm the inside of the bay indeed is vacant of personnel and is prepared for return to palletization.

SPECS

RPZ 30, 50, 80

POWER REQUIREMENT	480 VAC
ELECTRICAL CONNECTION STYLE	UMBILICAL WITH PLUG OR HARD PIPE
AIR REQUIREMENT	80 PSI OR VACUUM PUMP
SYSTEM DIMENSIONS	170" x 158"
MAXIMUM PAYLOAD	UP TO 30, 50 OR 80KG
MAXIMUM PICK RATE	10 CYCLES PER MINUTE
MAXIMUM PALLET HEIGHT	96"



Let's Talk Solutions

phone **630-634-7700**

website **irisfactoryautomation.com**

email **info@IRIScs.com**

address **2570 Beverly Drive
Suite 126 Aurora Illinois 60502**

